

WILD TUBS

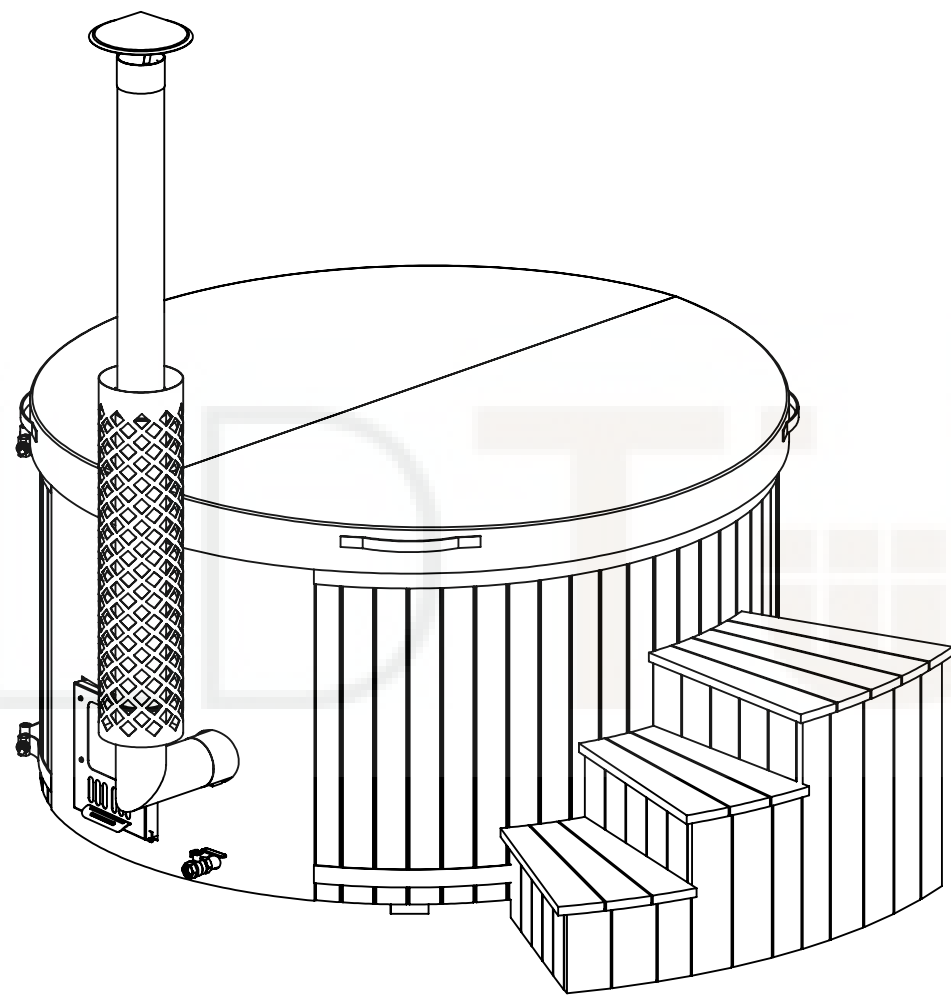
Fiberglass hot tub with integrated heater 1800

EN: THE MEASUREMENTS SHOWN IN THE DRAWINGS ARE FOR INFORMATIONAL PURPOSES AND MAY NOT CORRESPOND TO THE DIMENSIONS OF THE MANUFACTURED PRODUCT, AS ALL PRODUCTS ARE HANDMADE. IF IT IS NECESSARY TO KEEP SOME DIMENSIONS ACCURATE, THIS SHOULD BE INDICATED AT THE TIME OF ORDERING.

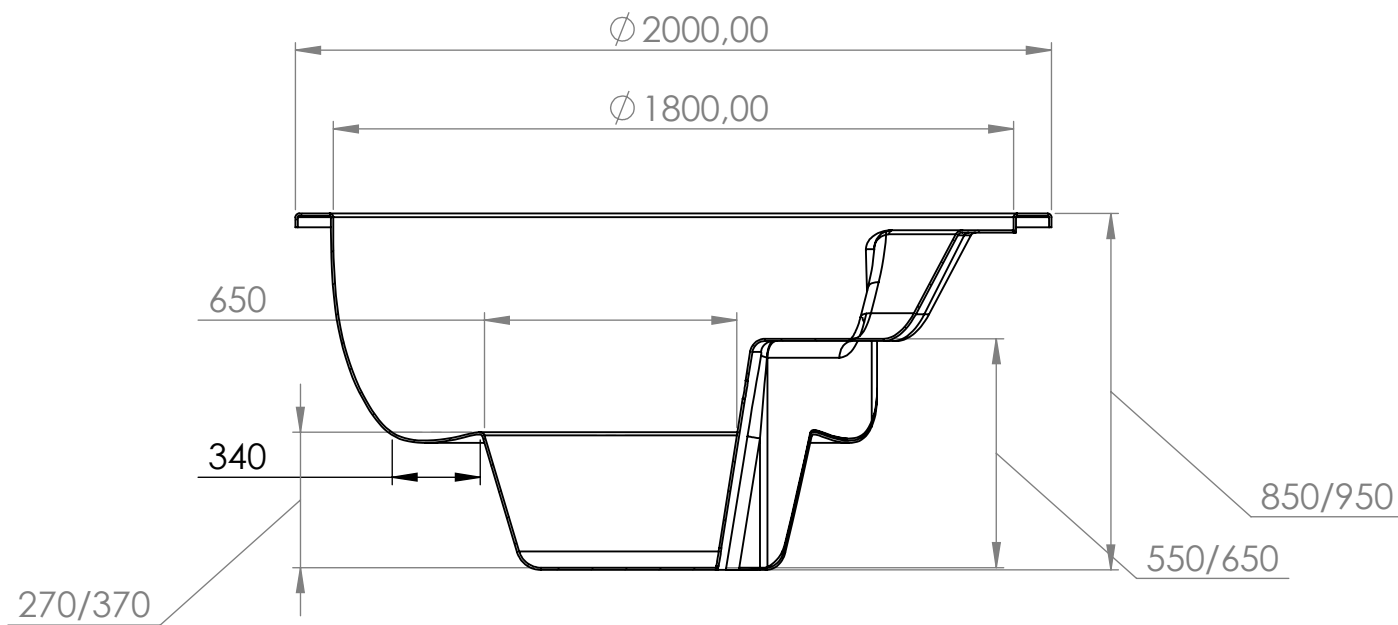
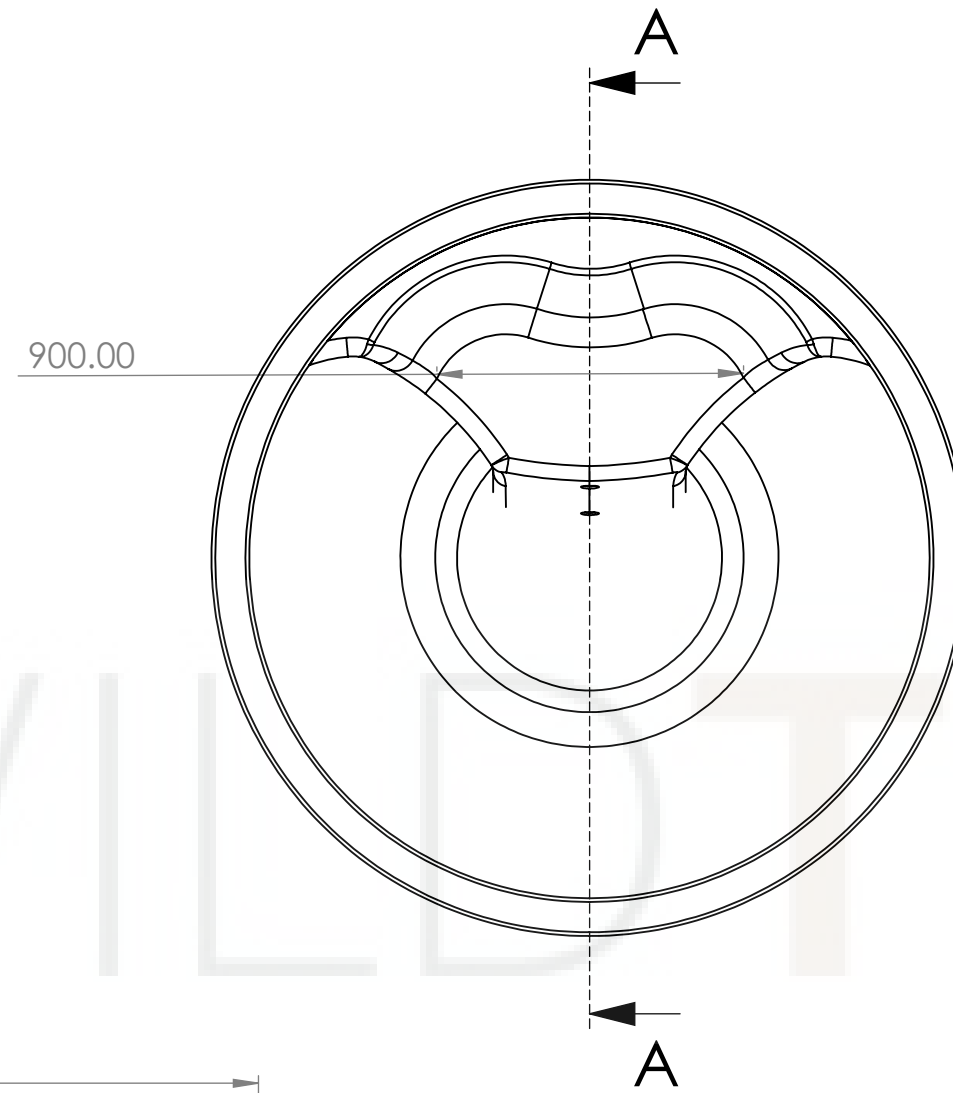
DE: DIE IN DEN ZEICHNUNGEN ANGEgebenEN MAßE DIENEN ZU INFORMATIONSZWECKEN UND ENTSPRECHEN MÖGLICHERWEISE NICHT DEN ABMESSUNGEN DES HERGESTELLTEN PRODUKTS, DA ALLE PRODUKTE HANDGEFERTIGT SIND. WENN ES NOTWENDIG IST, EINIGE ABMESSUNGEN GENAU EINZUHALTEN, SOLLTE DIES ZUM ZEITPUNKT DER BESTELLUNG ANGEgebenEN WERDEN.

FR: LES MESURES INDIQUÉES DANS LES DESSINS SONT À TITRE INFORMATIF ET PEUVENT NE PAS CORRESPONDRE AUX DIMENSIONS DU PRODUIT FABRIQUÉ, CAR TOUS LES PRODUITS SONT FAITS À LA MAIN. S'IL EST NÉCESSAIRE DE GARDER CERTAINES DIMENSIONS EXACTES, CELA DOIT ÊTRE INDIQUÉ AU MOMENT DE LA COMMANDE

Suitable for persons	4-6
Water capacity	1300 l
Total weight of the hot tub	180-200 kg

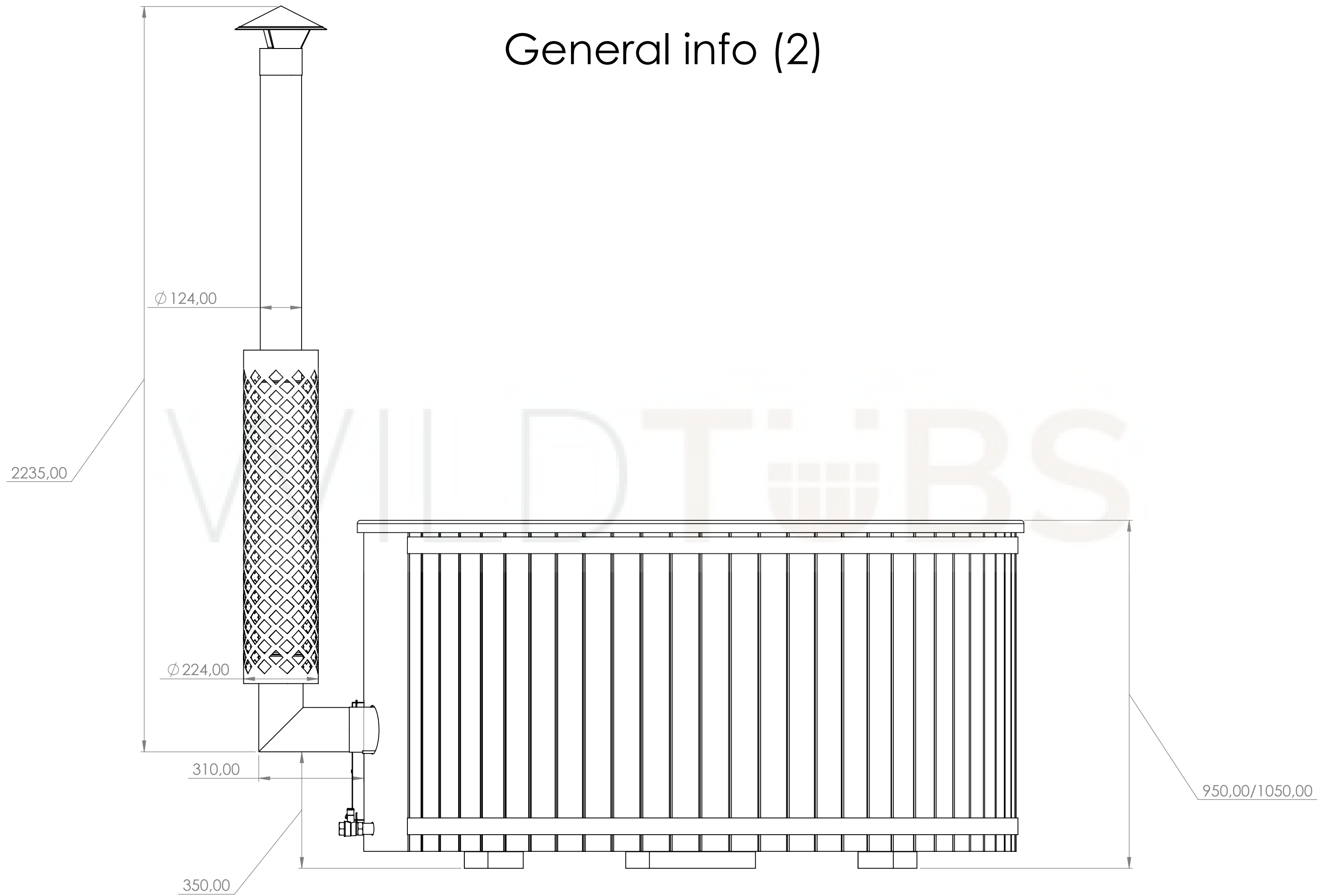


General info

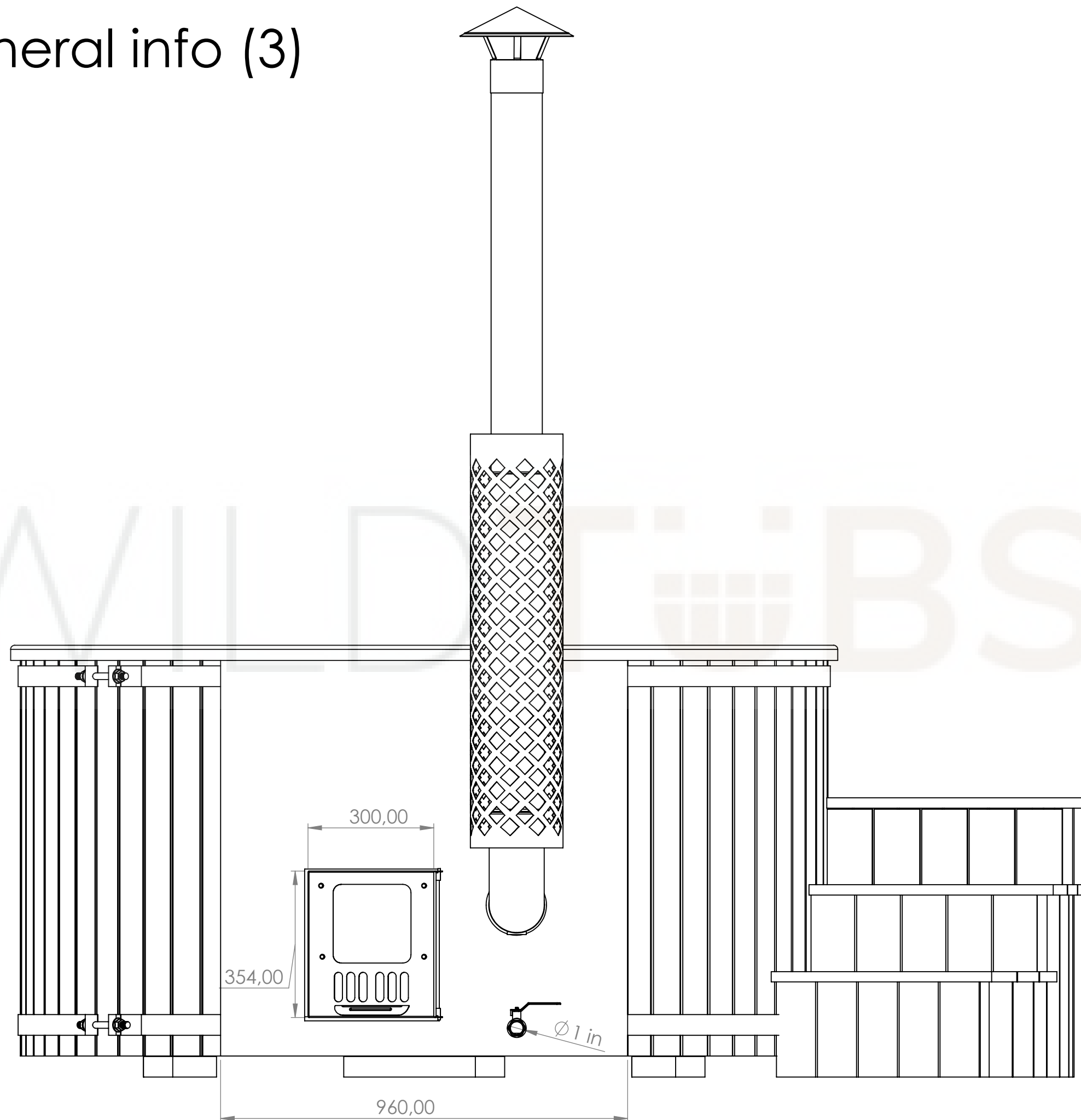


Inside diameter	1800 mm
Outside diameter	2000 mm
Height inner	850/950 mm
Height outer	950/1050
Width of the benches	340 mm
Height of the benches	270/370mm
Childs seat measurements	550/650mm x 900 mm
Bottom diameter	650 mm
Fiberglass edge width	100 mm
Filter connections, external water release tap (AISI 316)	1 inch /32 mm

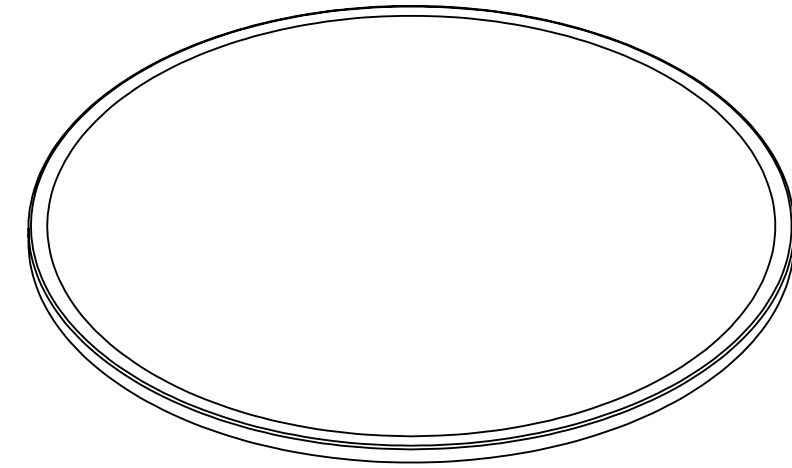
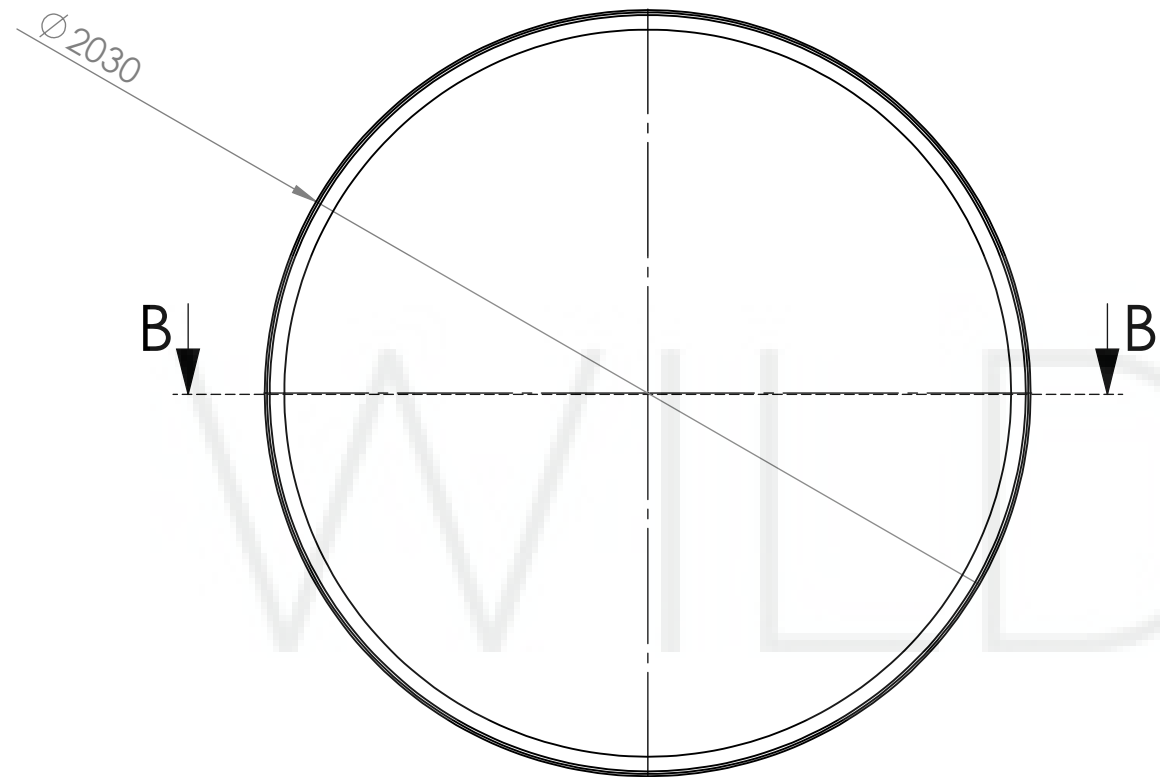
General info (2)



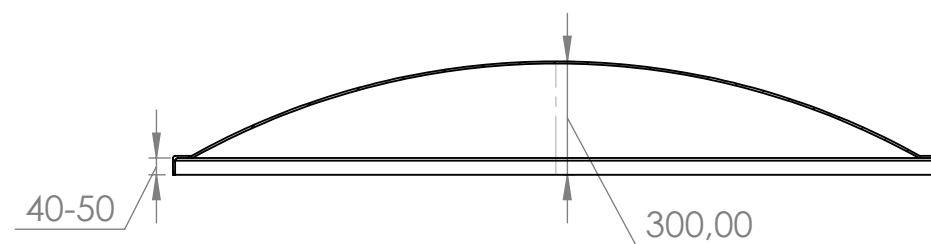
General info (3)



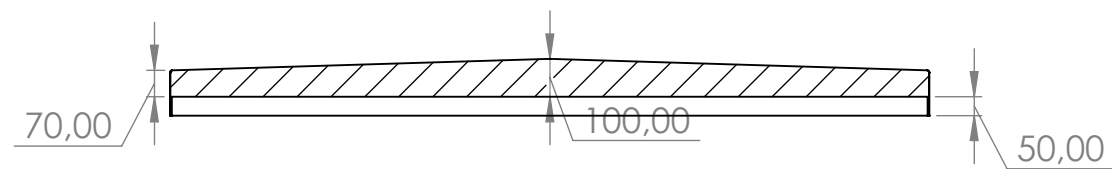
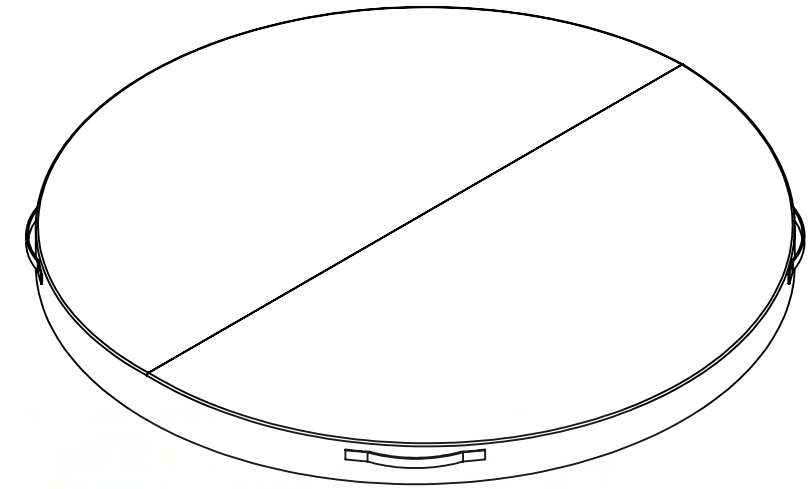
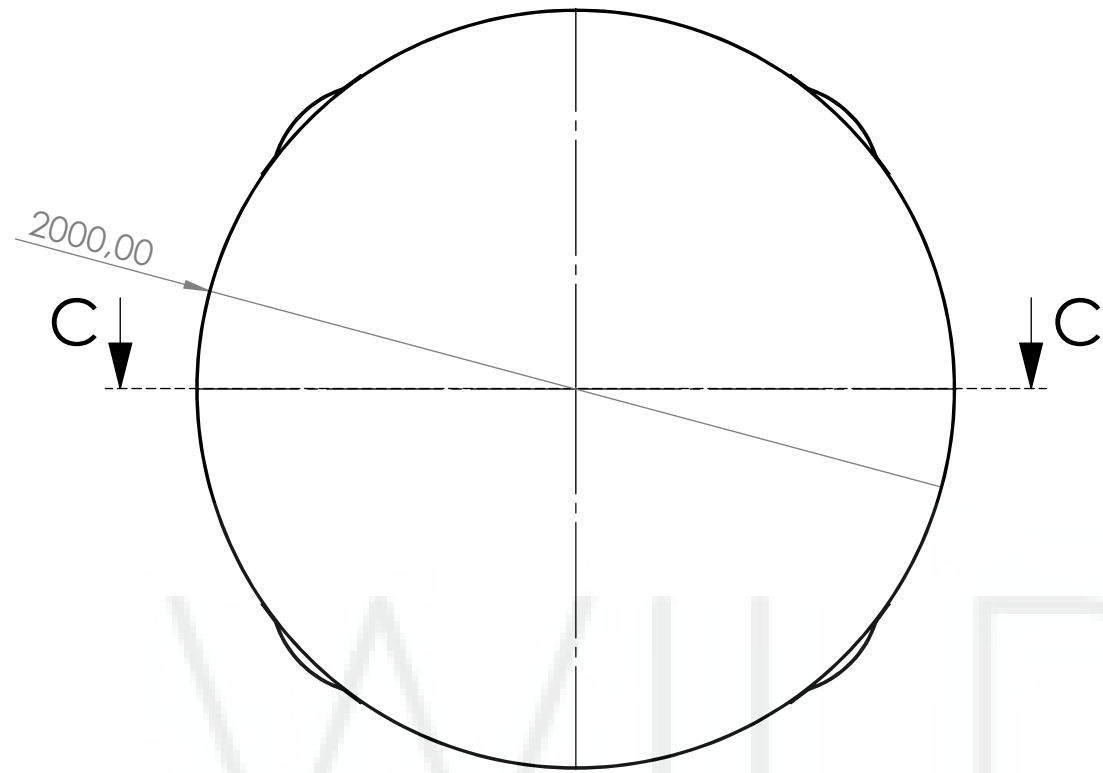
Fiberglass Lid



Diameter	2030 mm
Weight	30 kg

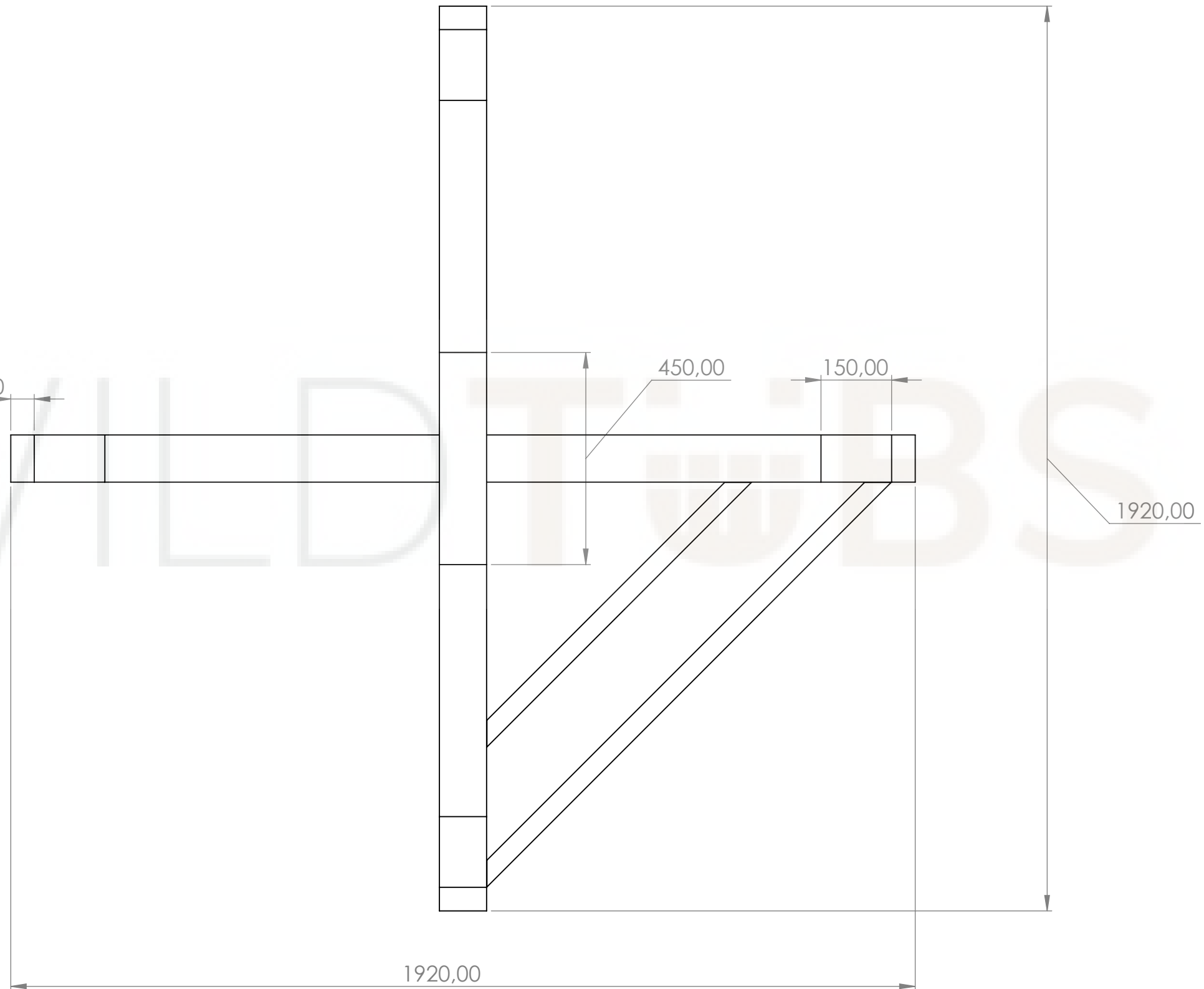


Insulated leather lid



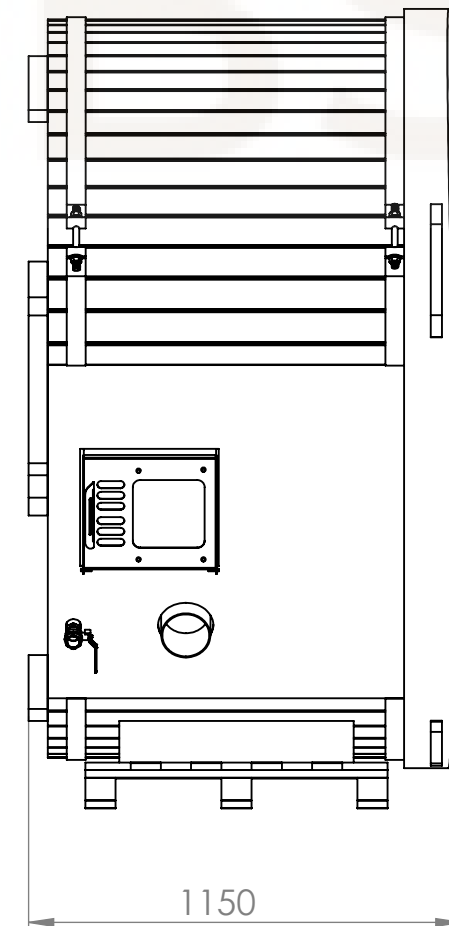
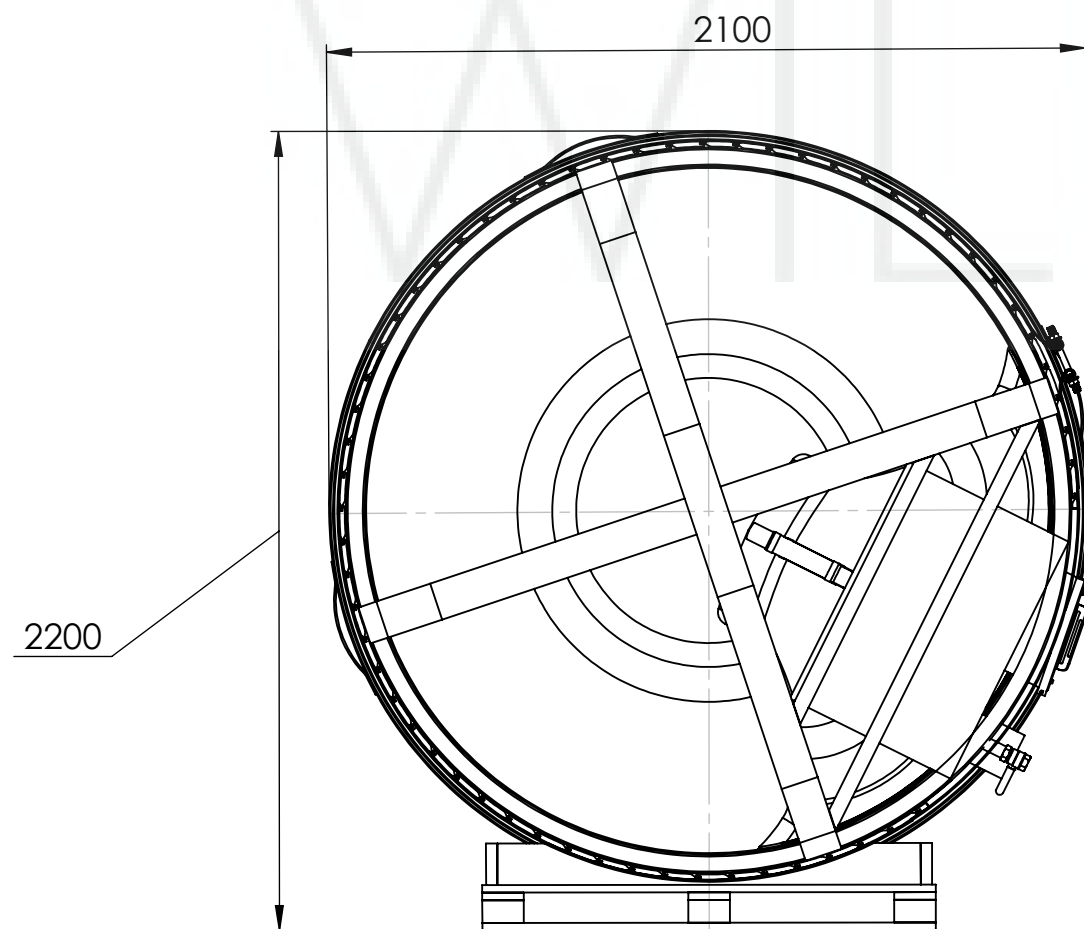
Diameter	2000 mm
Side leather overlay	50 mm
Weight	15 kg
Insulation thickness	70-100 mm

Hot tub base

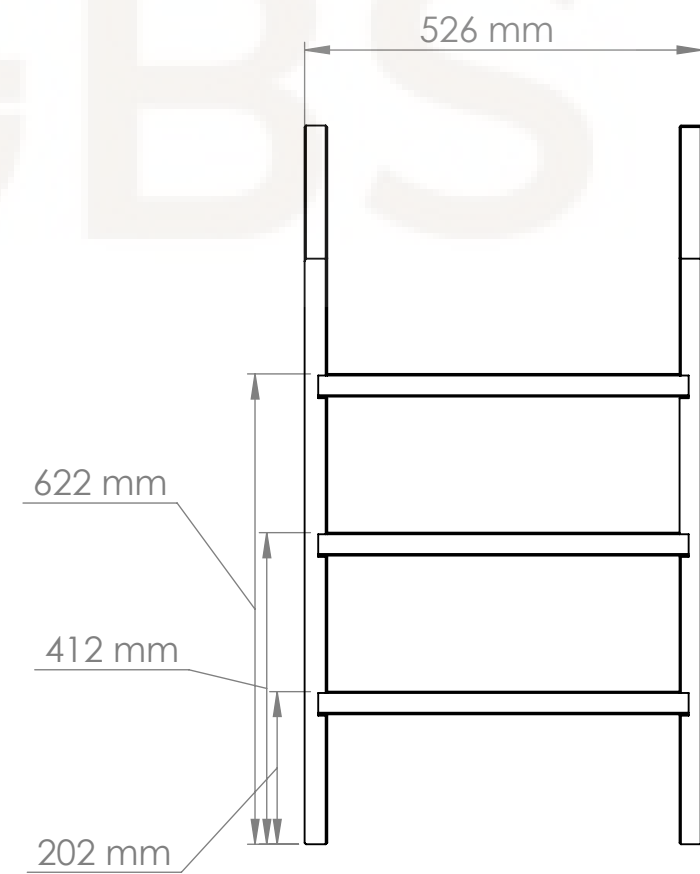
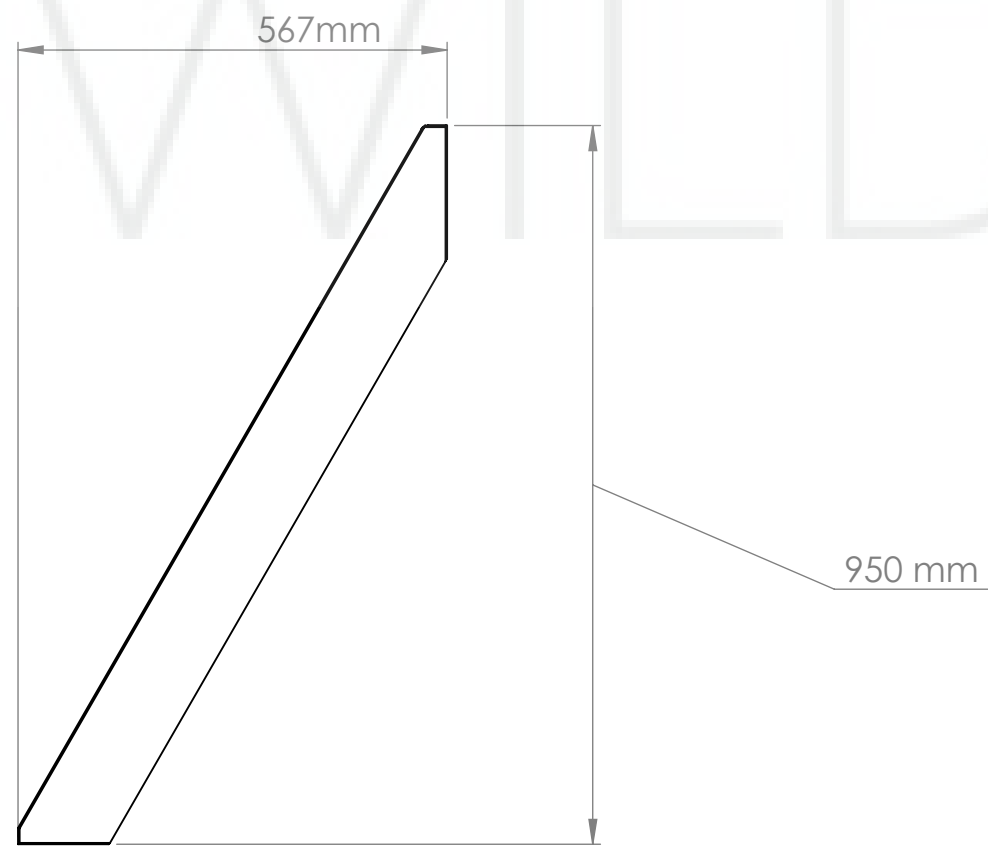
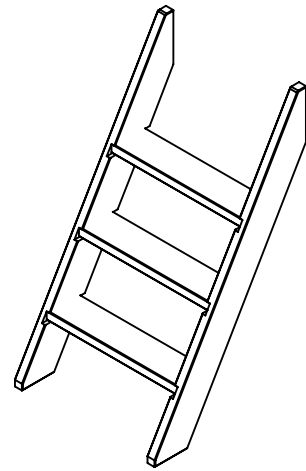


Delivery info

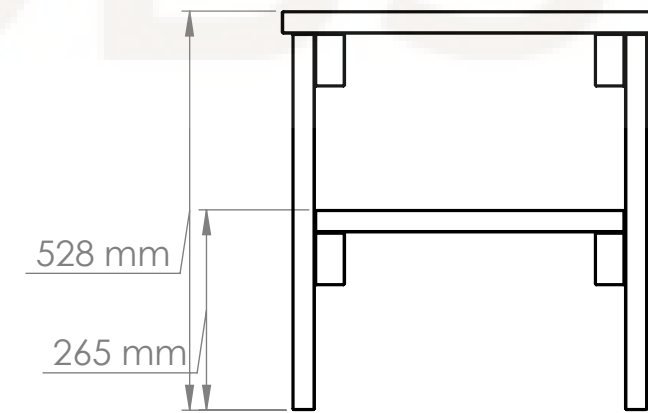
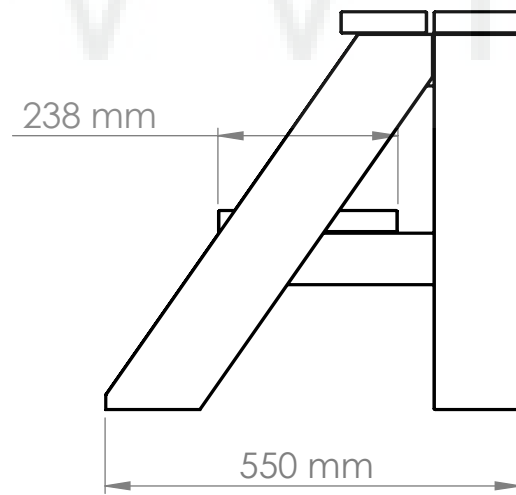
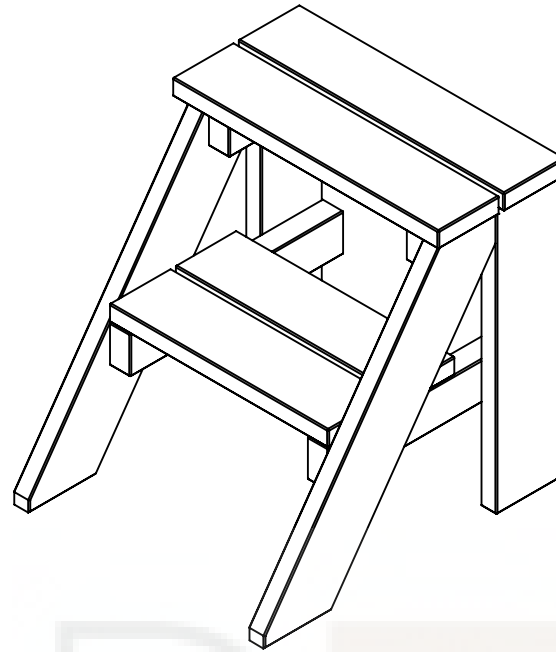
Height	2200 mm
Width	1150 mm/ with fiberglass lid 1300 mm
Length	2100 mm
Weight	180-200 kg



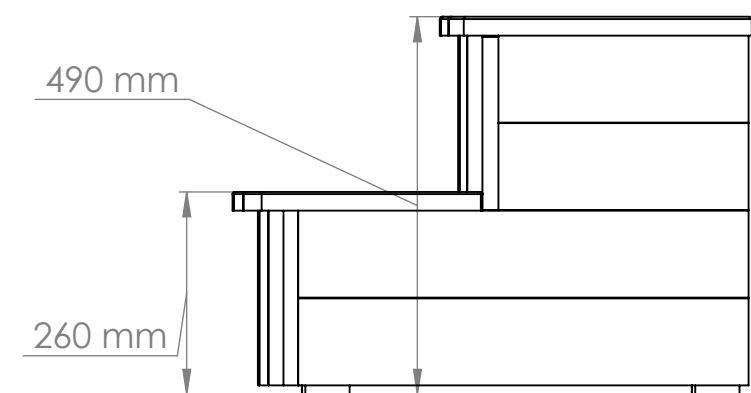
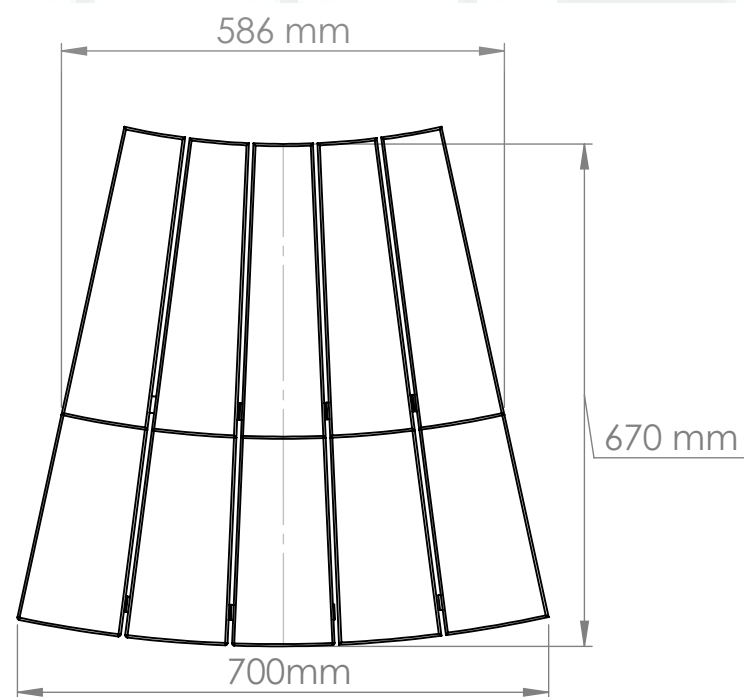
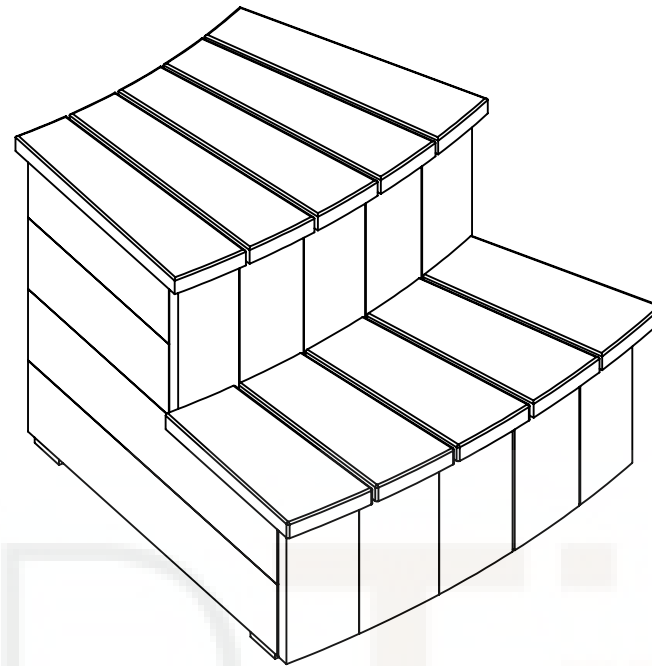
Ladder 1



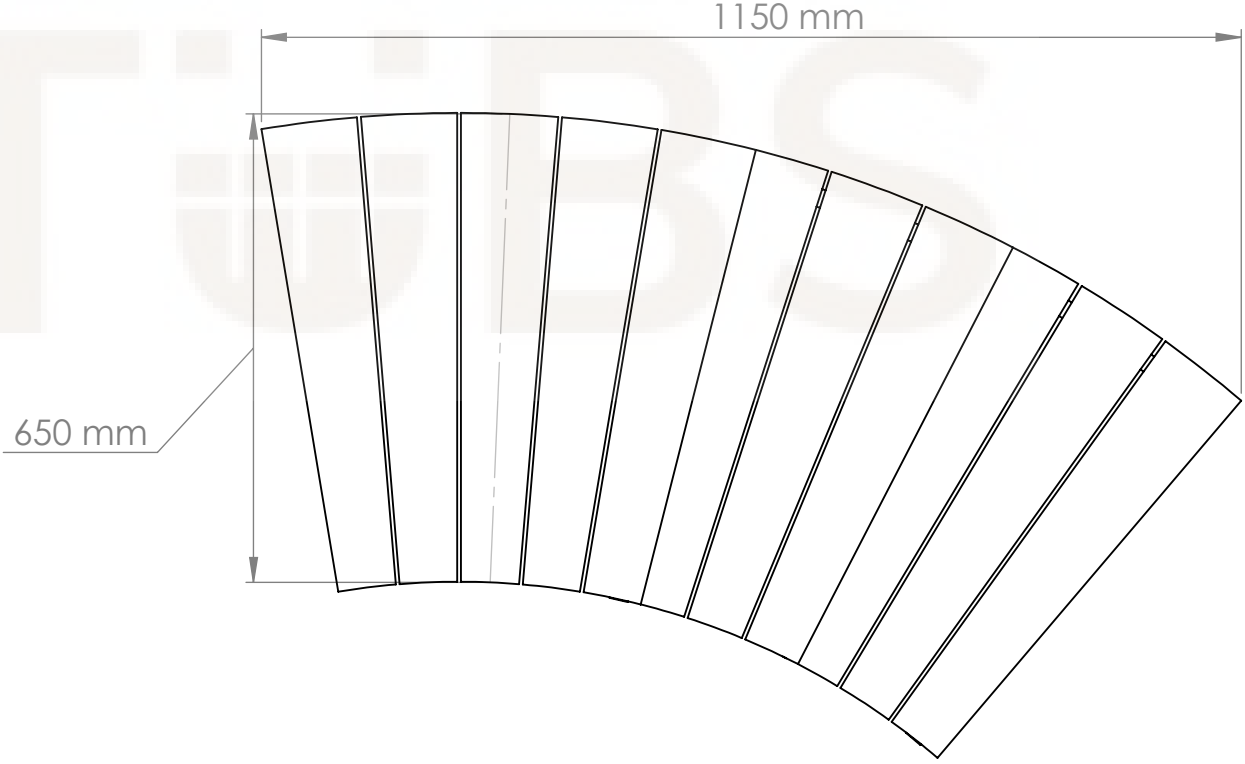
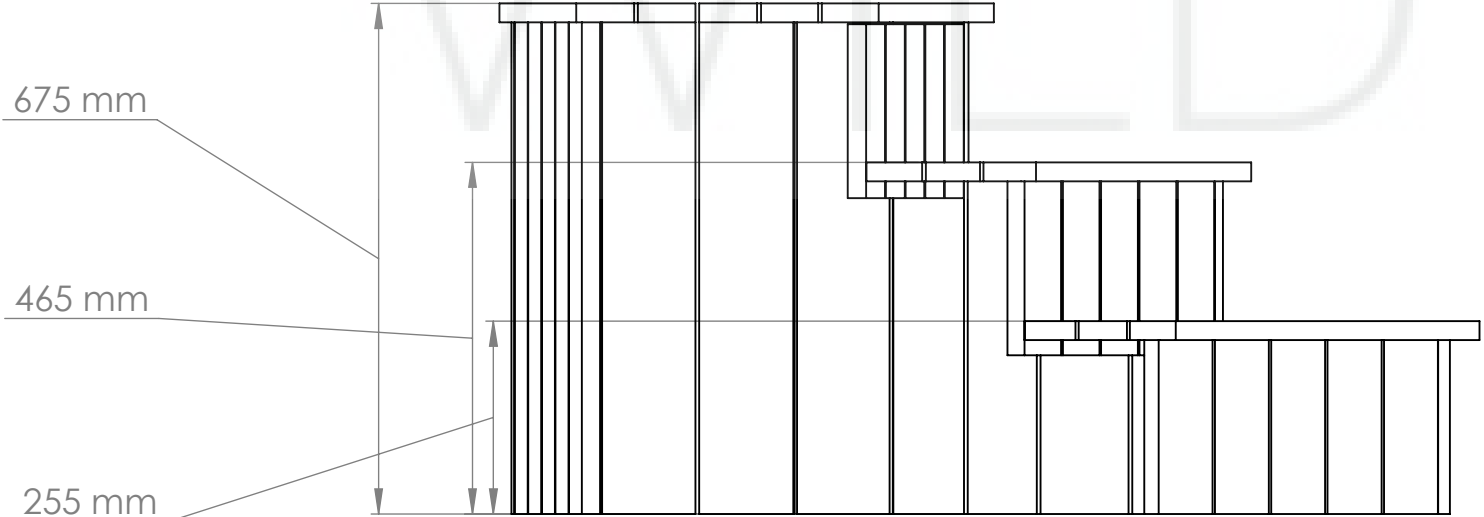
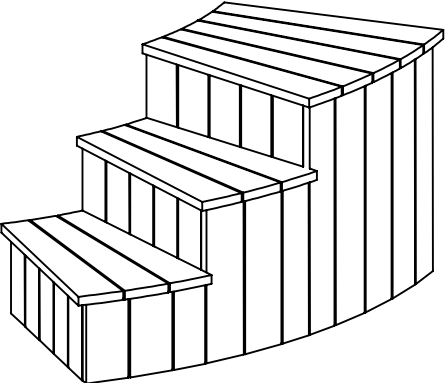
Ladder 2



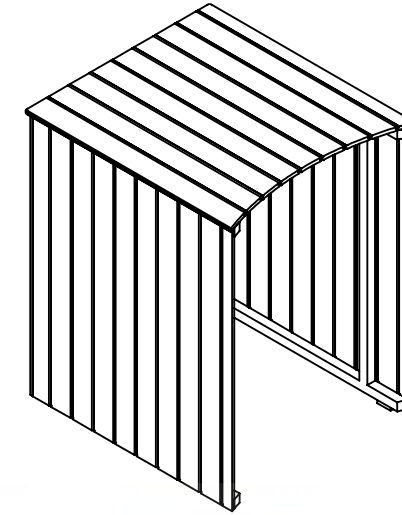
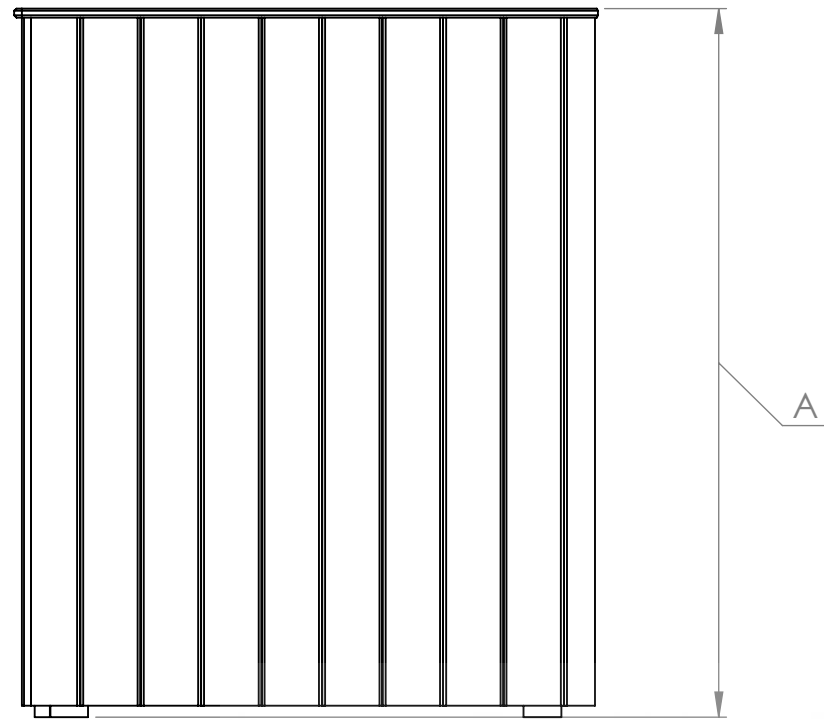
Type 1 stairs



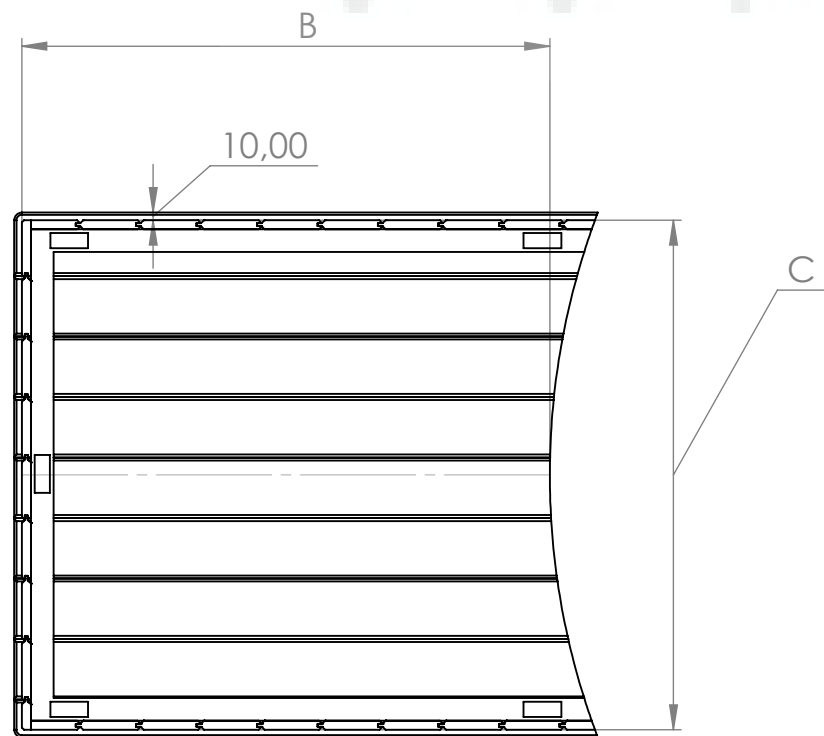
Type 2 stairs



Wooden boxes for spa systems storage



WILD TUBS



Model	Wooden box
wooden box for filtration	A: 850mm B: 700mm C: 650mm
wooden box for filtration + electric heater	A: 850mm B: 700mm C: 750mm
wooden box for electric heater	A: 800mm B: 600mm C: 600mm